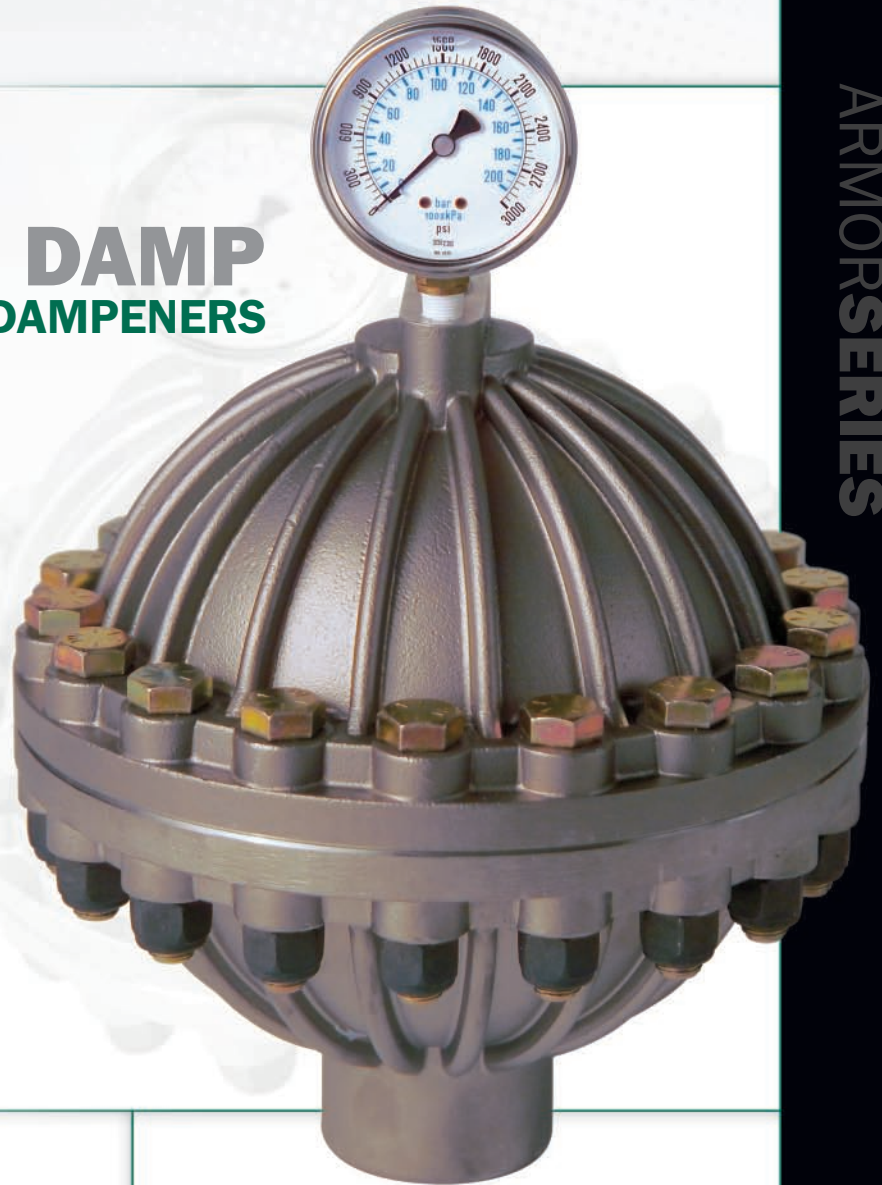


INTRODUCES
THE ARMOR DAMP
PULSATION DAMPENERS

ARMOR SERIES

Key Features

- Integral Charging Valve
- Rugged Metallic Construction
- High Pressures up to 2,000 psi
- Modular Design for Ease of Operation
- Field Serviceable Without Special Tools
- Ease of Installation with Connections from 1/2" to 3"
- Pressure Gauge Included For Visual Indication of Performance



ARMOR SERIES



When To Use A Pulsation Dampener

- Reduce pump pulsation, pipe vibration, and shaking up to 99%
- Protect plastic piping, joints, and fittings from breaking or leaking
- Extend pump life and performance
- Minimize pump cavitation
- Limit damaging pressure surges caused by pump start-up and shut-down
- Remove tube motion that abrades and shortens tube life
- Eradicate splashing, foaming, or product degradation
- Ensure accurate reading of flow meters and gauges
- Produce a smooth, even flow for spraying or filling

Applications:





PRINCIPLES OF OPERATION

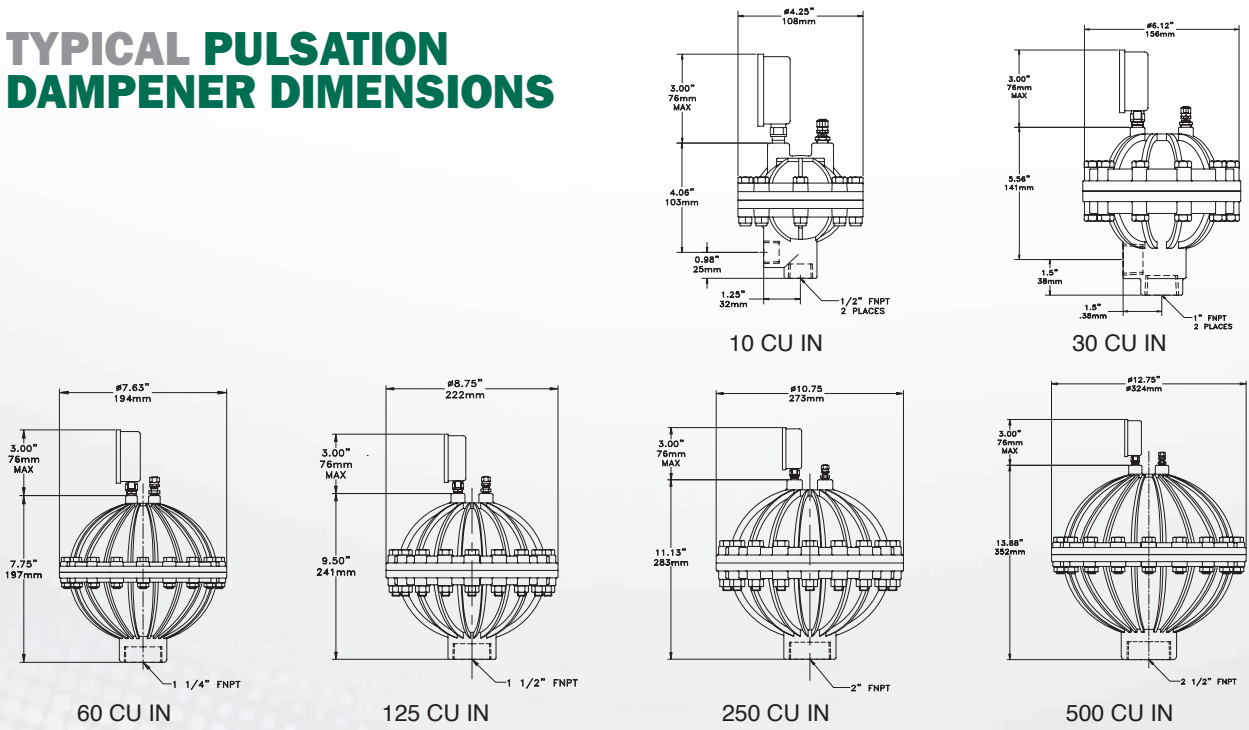
ARMOR. When it comes to protecting your pump system from the shock and vibrations caused by pressure surges or pulsations, Armor-Damp provides an internal shield by absorbing up to 99% of the pressure spikes. This is possible by introducing a pressurized air chamber in the liquid path. A bladder separates the air chamber to prevent contact with the process fluid. Without the bladder the gas would dissolve into the fluid and cause product contamination.

During the pump discharge, fluid displaces the bladder against the air charge pressure to absorb the shock. At the end of the discharge stroke, when the pressure is reduced, the bladder pushes back the liquid into the line to keep the pressure stabilized in the pump system.

AVAILABLE MODELS

Inlet Size (NPT)	Volume (in ³ / L)	Pressure (psi / MPa)	Weight (lbs. / kg)	Pump Selection
1/2"	10	2,000	10	Up to 0.66 in ³ /10.6 ml per stroke
	0.16	13.8	4.5	
1"	30	2,000	15	Up to 2.0 in ³ /32.6 ml per stroke
	0.49	13.8	6.8	
1.25"	60	2,000	25	Up to 4.0 in ³ /66.6 ml per stroke
	1.0	13.8	11.4	
1.5"	125	2,000	35	Up to 8.33 in ³ /133 ml per stroke
	2.0	13.8	16	
2"	250	2,000	50	Up to 16.6 in ³ /273 ml per stroke
	4.1	13.8	23	
2.5"	500	500	65	Up to 33.3 in ³ /546 ml per stroke
	8.2	3.45	30	
3"	1,000	500	95	Up to 66.6 in ³ /1093 ml per stroke
	16.4	3.45	43	

TYPICAL PULSATION DAMPENER DIMENSIONS



601 Columbia Avenue, Suite D, Riverside, California 92507 USA
Call Us Toll Free: 800.603.7867
 Telephone: 951.342.3100 • Facsimile: 951.342.3101
 E-mail: sales@blacoh.com • Website: www.blacoh.com

Please call your local distributor: