

# EXTREME SERVICE

## XP HIGH PRESSURE DAMPENERS

Withstands shock loads four times the maximum working pressure.



- Designed for high-pressure applications up to 4000 PSI (276 BAR)
- Constructed to a 4 to 1 maximum allowable working pressure safety margin
- Rugged 316L shell casing
- Heavy-duty plug top held in place by two 30,000 PSI (2069 BAR) retaining rings
- Available in 8 to 24 cubic inches (.13L to .39L)

### USE AN XP PULSATION DAMPENER TO:

- Reduce pump pulsation, pipe vibration, and shaking up to 99%
- Protect expensive high-pressure tube and pipe
- Extend pump component life and improve pump performance
- Minimize pump cavitation
- Eliminate water hammer and pressure spikes generated by quick-closing valves
- Limit damaging pressure surges caused by pump start-up and shut-down
- Remove hose motion that abrades and shortens hose life
- Eradicate splashing, foaming, or product degradation
- Ensure accurate reading of flow meters and gauges
- Produce a smooth and even flow for spraying or filling

(800) 603-7867  
[www.Blacoh.com](http://www.Blacoh.com)

**BLACOH**  
FLUID CONTROL

Member of  
*Hydraulic*



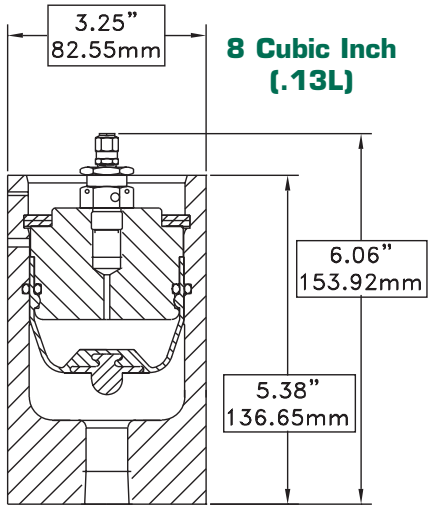
**SENTRY**  
PULSATION DAMPENERS

**SENTINEL**  
DIAPHRAGM SEALS

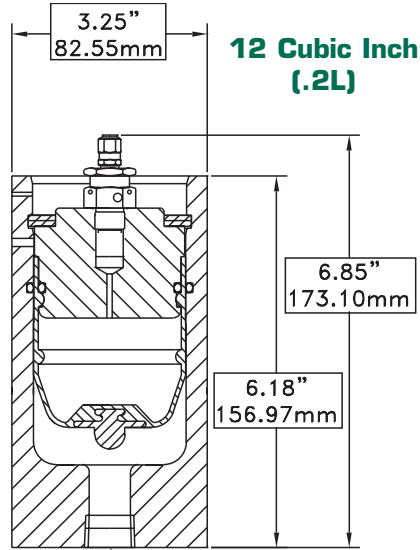
**SPILL STOP**  
LEAK CONTAINMENT



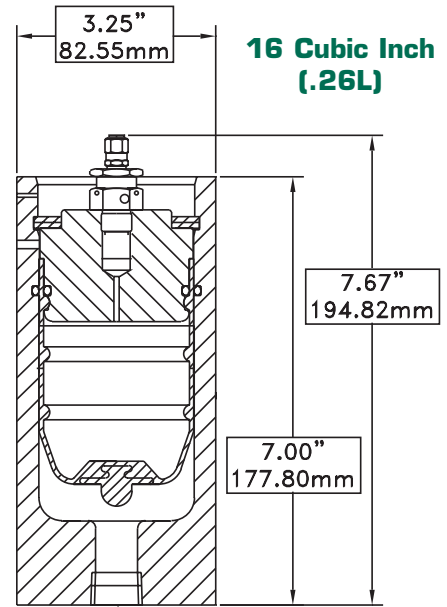
## 316L STAINLESS STEEL HIGH PRESSURE DAMPENERS



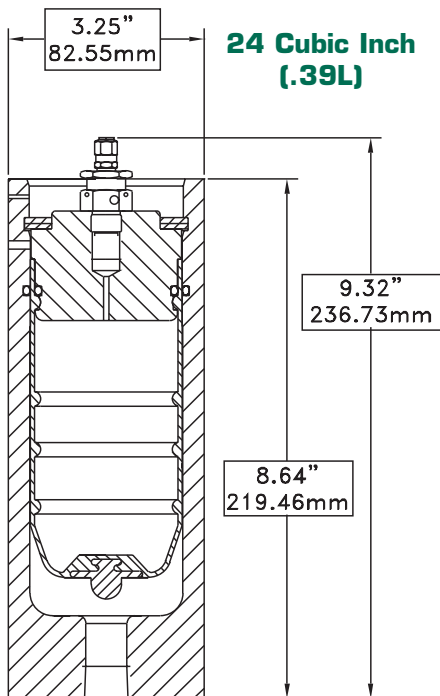
1/2" (12.70mm) FNPT



1/2" (12.70mm) FNPT



1/2" (12.70mm) FNPT



1/2" (12.70mm) FNPT

| CAPACITY     | 8 CU IN (.13L)     | 12 CU IN (.2L)     | 16 CU IN (.26L)    |
|--------------|--------------------|--------------------|--------------------|
| MAX PRESSURE | 4000 PSI (276 BAR) | 4000 PSI (276 BAR) | 4000 PSI (276 BAR) |
| BLADDER      | MODEL              | MODEL              | MODEL              |
|              | BUNA               | XP4-12S-B50        | XP4-16S-B50        |
|              | EPDM               | XP4-12S-E50        | XP4-16S-E50        |
|              | VITON              | XP4-12S-V50        | XP4-16S-V50        |

| CAPACITY     | 24 CU IN (.39L)    | 24 CU IN (.39L)    |
|--------------|--------------------|--------------------|
| MAX PRESSURE | 2000 PSI (138 BAR) | 4000 PSI (276 BAR) |
| BLADDER      | MODEL              | MODEL              |
|              | BUNA               | XP4-24S-B50        |
|              | EPDM               | XP4-24S-E50        |
|              | VITON              | XP4-24S-V50        |

Available with 1/2" (12.70 mm) 2500 class flange.

Please call your local distributor:



Call for your FREE  
Demonstration CD

**BLACOH**  
FLUID CONTROL

601 Columbia Ave., Bldg. D, Riverside, CA 92507 • USA  
Tel: (800) 603-7867 or (951) 342-3100 • Fax: (951) 342-3101  
E-mail: sales@blacoh.com • Website: www.blacoh.com