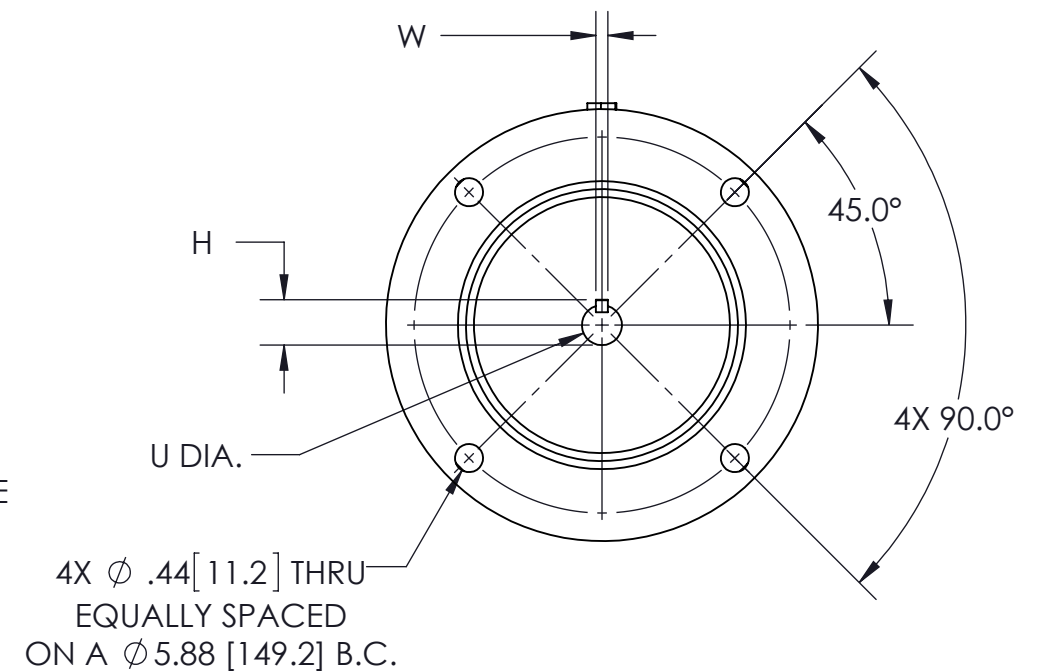
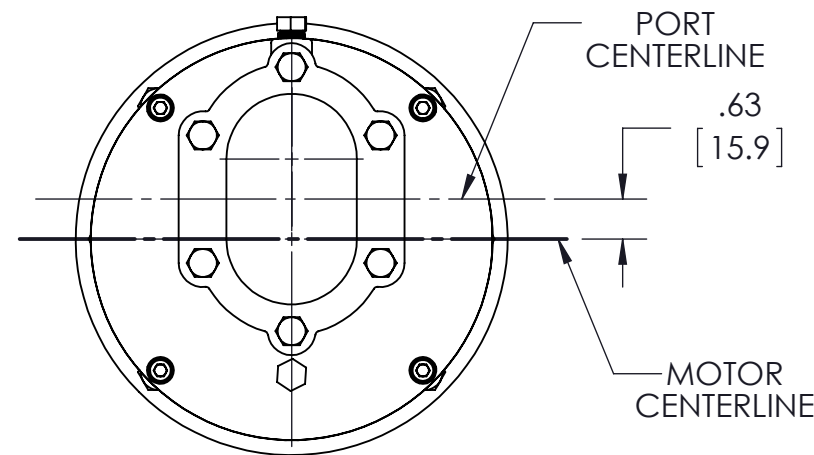
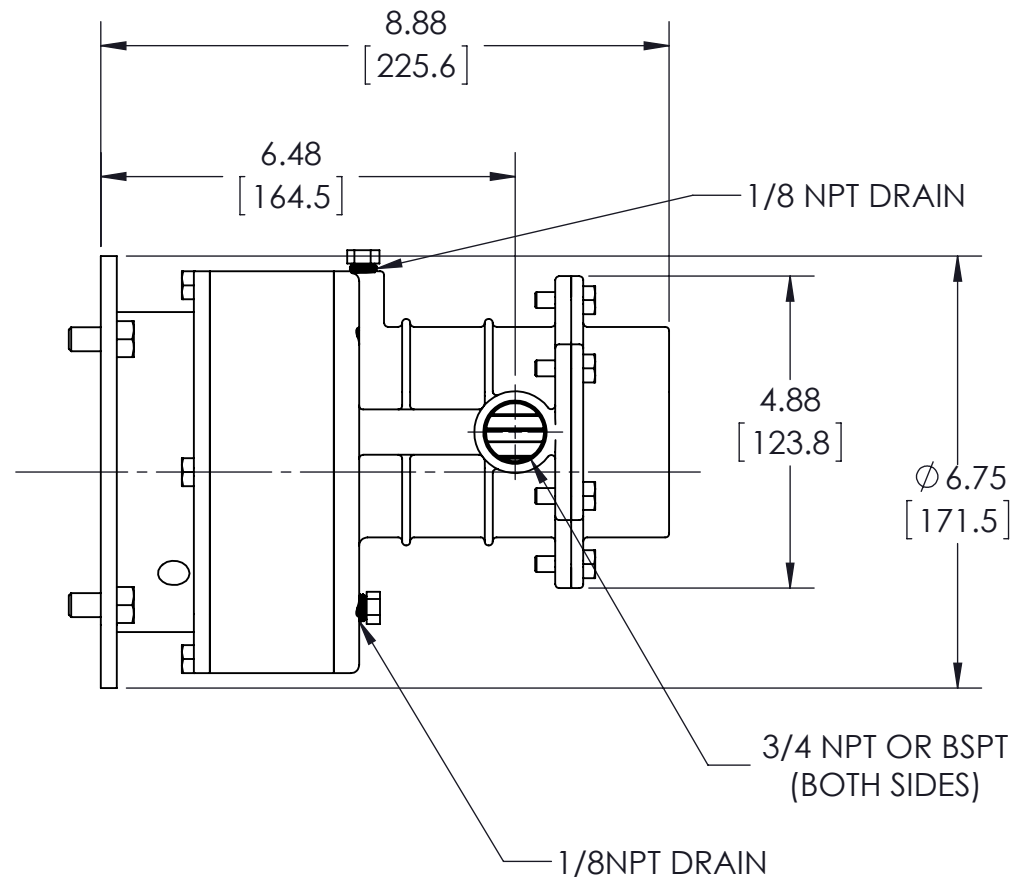
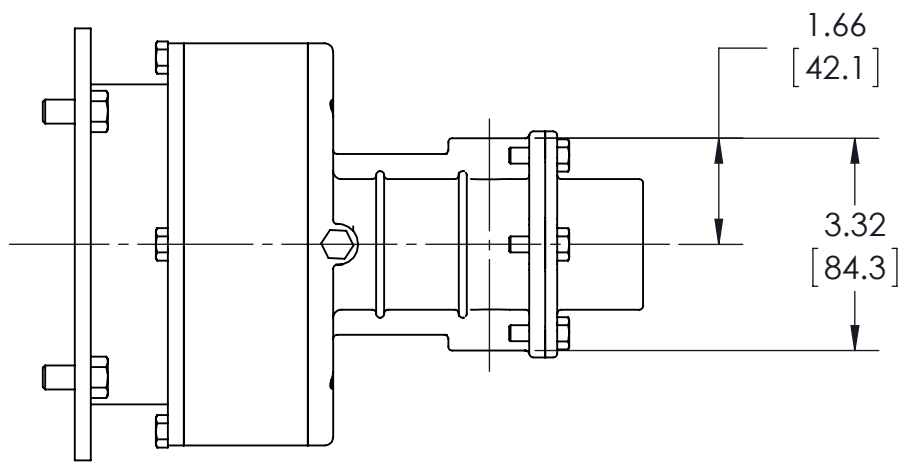



MOTOR FRAME	U DIA. SHAFT	W KEY WIDTH	H KEY HEIGHT
56C	.626 / 15.9	.188 / 4.7	.71 / 18.0
143-5TC	.876 / 22.2	.188 / 4.7	.96 / 24.5
182-4C			



**56C, 143-5TC, 182-4C FR NEMA
MOTOR MOUNTING**

NOTES:

- SUCTION AND DISCHARGE PORTS DEPENDENT UPON PUMP SHAFT ROTATION.
- STANDARD MOTOR ADAPOR FITS NEMA 56C, 143-5TC, AND 182-4C FRAME MOTORS.
- MUST USE FOOT MOUNTED C-FACE MOTOR OF SPECIFIED FRAME SIZE. SEE CHART.

ALL DIMENSIONS ARE IN INCHES/mm		SCALE: 1:3		Item - No.	
Customer				Model	E25, 316L SS
Project No.				Motor Pwr/Fr	SEE CHART
Po No./SO No.				Unit Weight	lb kg
				 A Unit of IDEX Corporation	
A	ECN D379: CHG CAST DIMENSIONS	EAK	03/25/15		
Rev	Revision Description	Name	Date	Checked	KLM 01/29/15
				Drawing No.	SD-3110