

EZB11-C36 Series Specifications

1.0 Scope

- 1.1 This specification in combination with pump data sheets identifies the minimum requirements for electronic metering pumps.

2.0 Reference codes and standards

- 2.1 Pumps shall comply with the latest editions of the following codes and standards:

UL Standard 778
Hydraulic Institute Standards
National Electric Code
NEMA 4X (IP65)

3.0 Definitions

- 3.1 Electronic metering pump-A positive displacement diaphragm metering pump in which the diaphragm is actuated by an electromagnetic solenoid which is in turn controlled by an electronic circuit.

4.0 General

- 4.1 Output volume shall be adjustable while pump is in operation.
- 4.2 Weight of pump as installed shall not exceed 6 pounds.
- 4.3 Pump shall fit within a rectangular volume 8.4" long by 4.6" wide by 8.4" high.

5.0 Drive

- 5.1 The pump mechanism shall be totally enclosed with no exposed moving parts.
- 5.2 Electronic control module shall be easily removable for mounting in a remote location.
- 5.3 Average power consumption shall not exceed 22 watts under full speed and maximum pressure conditions.
- 5.4 Metering pump shall be capable of pumping a maximum of (q) GPH against a maximum pressure of (p) PSI. (q and p from Table 1).
- 5.5 Pump speed shall be adjustable from 1 to 360 strokes per minute by means of a readily accessible keypad with digital display.

6.0 Materials of construction

6.1 Pump housing shall be of chemically resistant glass fiber reinforced thermoplastic.

6.2 All exposed fasteners shall be 316 stainless steel.

6.3 Liquid end materials shall be as shown in Table 2.

7.0 Shop tests

7.1 All pumps shall pass manufacturer's standard performance test.

Table 1

Size	Output Capacity (q)		Max Output per stroke (mL) (Fixed)	Max Pressure (P)		Connection Size Tubing O.D. in
	Gal/hr	ML/min		PSI	MPa	
B11	0.6	38	0.11	150	1.0	3/8
B16	1.0	65	0.18	105	0.7	3/8
B21	1.5	95	0.26	60	0.4	3/8
B31	3.2	200	0.56	30	0.2	½
C16	1.3	80	0.22	150	1.0	3/8
C21	2.0	130	0.36	105	0.7	3/8
C31	4.3	270	0.75	50	0.35	½
C36	6.3	400	1.17	30	0.2	½

Table 2

Liquid End	Pump Head & Fittings	Diaphragm	Valve Balls	Valve Seat	Valve Seals	Gasket	Tubing
FC	PVDF	PTFE bonded to EPDM	CE	PCTFE	PTFE	PTFE	PE
PC	GFRPP		CE	FKM	FKM		
PE	GFRPP		CE	EPDM	EPDM		
VC(A)	PVC		CE	FKM	FKM		
VE	PVC		CE	EPDM	EPDM		
TC	PVDF		CE	FKM	FKM		
VF	PVC		PTFE	EPDM	EPDM		

CE Alumina ceramic

FKM Fluoroelastomer

PCTFE Polychlorotrifluoroethylene

PTFE Polytetrafluoroethylene

PVDF Polyvinylidene fluoride

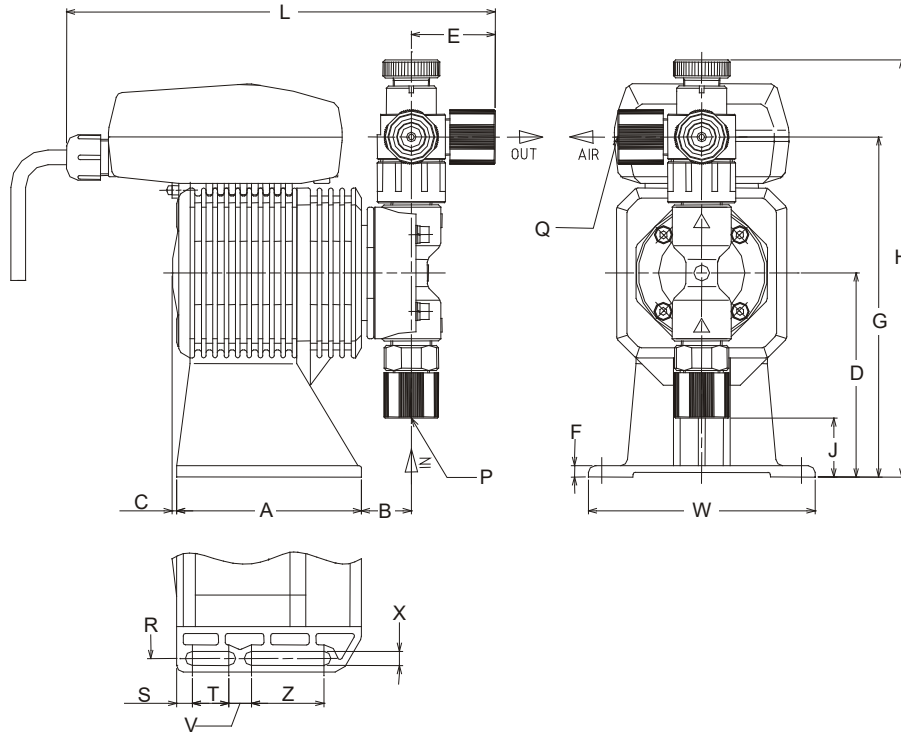
EPDM Ethylene propylene diene monomer

GFRPP Glass fiber reinforced polypropylene

PE Polyethylene

PVC Polyvinylchloride (translucent)

DIMENSIONS



All dimensions in inches

Model			A	B	C	D	E	F	G	H	J	L	P & Q TUBING	W	
EZB	11 16 21	D1	-VC -VE	3.21	0.87	0.08	3.54	1.46 (3.03) ¹ [1.83] ²	0.20	5.91 [6.11] ²	7.24 [8.39] ²	1.02	7.44 (9.53) ¹ [7.81] ²	3/8" O.D.	3.94
			-PC -PE	3.21	0.87	0.08	3.54	0.51	0.20	6.09	6.83	1.00	6.50	3/8" O.D.	3.94
			-TC -VF	3.21	0.87	0.08	3.54	0.87	0.20	6.75	8.00	0.32	7.01	1/2" O.D.	3.94
	31	D2	-FC	3.21	1.02	0.08	3.54	0.63	0.20	6.85	6.85	0.24	6.77	1/2" O.D.	3.94
			-VC -VE -PC -PE -TC -VF	3.21	1.02	0.08	3.54	0.87	0.20	6.75	8.00	0.32	7.01	1/2" O.D.	3.94
EZC	16 21	D1	-VC -VE	4.13	0.94	---	3.94	1.46 (3.03) ¹ [1.83] ²	0.31	6.30 [6.50] ²	7.64 [8.79] ²	1.42	8.15 (10.24) ¹ [8.52] ²	3/8" O.D.	4.57
			-PC -PE	4.13	0.94	---	3.94	0.51	0.31	6.48	7.44	1.39	7.20	3/8" O.D.	4.57
			-TC -VF	4.13	0.94	---	3.94	0.87	0.31	7.11	8.37	0.71	7.72	1/2" O.D.	4.57
	31 36	D2	-FC	4.13	1.10	---	3.94	0.63	0.31	7.44	7.44	0.63	7.48	1/2" O.D.	4.57
			-VC -VE -PC -PE -TC -VF	4.13	1.10	---	3.94	0.87	0.31	7.11	8.37	0.71	7.72	1/2" O.D.	4.57

¹ Dimension with automatic air vent valve option

² With Multifunction valve

Mounting Dimensions	R	S	T	X	V	Z
EZB all variations	3.46	0.28	0.63	0.24	0.39	1.26
EZC all variations	3.94	0.59	1.18	0.28	0.59	1.18

Walchem, An Iwaki America Incorporated Company
 5 Boynton Road Holliston, MA 01746 USA TEL: 508-429-1110 FAX: 508-429-7433 www.walchem.com

P/N E00162.A 10/2008