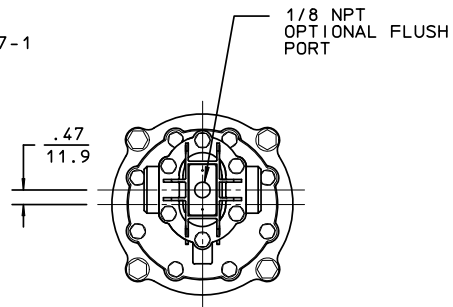
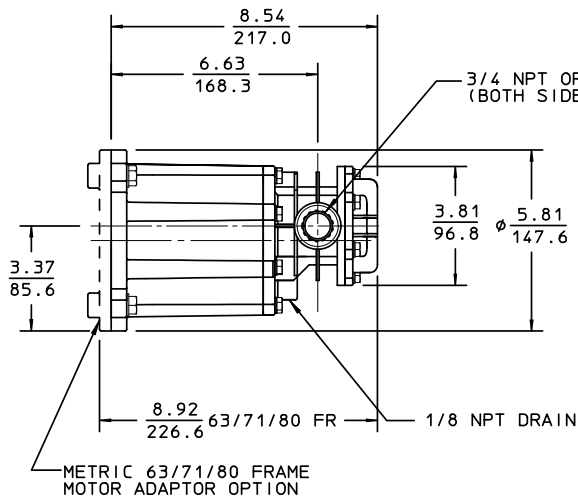
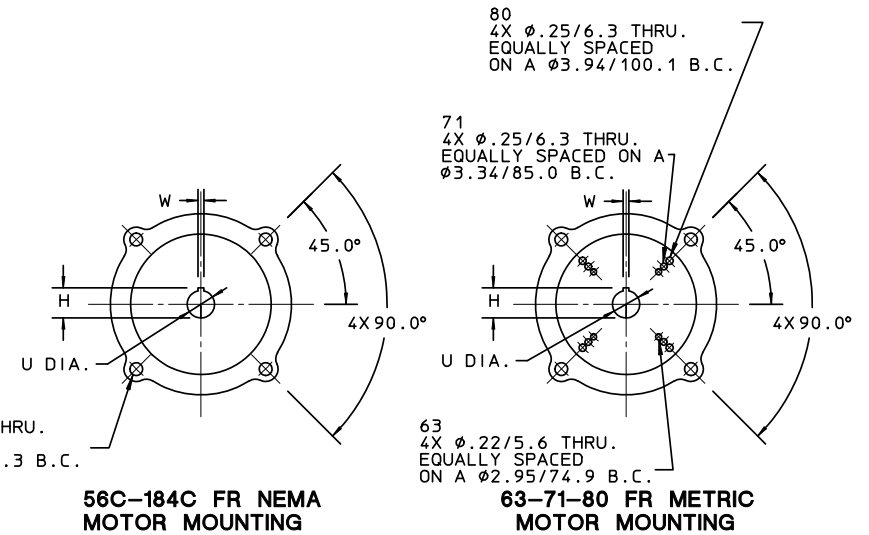


E12 WITH FLANGE ADAPTOR KIT: E12FX\_



- NOTES:
1. SUCTION AND DISCHARGE PORTS DEPENDENT UPON PUMP SHAFT ROTATION.
  2. STANDARD MOTOR ADAPTOR FITS NEMA 56C, 143TC, 182C AND 184C FRAME MOTORS.
  3. METRIC MOTOR ADAPTOR OPTION FITS 63, 71 AND 80 FRAME MOTORS.
  4. MUST USE FOOT MOUNTED C-FACE MOTOR OF SPECIFIED FRAME SIZES.

MOTOR FRAME	U DIA. SHAFT	W KEY WIDTH	H KEY HEIGHT
56C	.626 15.9	.188 4.7	.71 18.0
140TC	.876 22.2	.188 4.7	.96 24.5
180C			
63	.434 11.0	.159 4.0	.51 12.9
71	.551 14.0	.196 5.0	.64 16.0
80	.750 19.1	.237 6.0	.865 22.0



56C-184C FR NEMA MOTOR MOUNTING

63-71-80 FR METRIC MOTOR MOUNTING

ALL DIMENSIONS ARE IN INCHES/mm		RHA: X		SCALE: X:X		Item - No.	
Customer						Model	
Project No.						E12	
Po No./SO No.						Motor Pwr/Fr	
						SEE CHART	
						Unit Weight	
						lb kg	
SECTION/PAGE		ECLIPSE 10/ 101					
EFFECTIVE		04/16/13		Name		Date	
SUPERSEDES		12/21/07		C CHGD FORMAT TO LANDSCAPE		04/06/06	
				KLM 04/16/13		Drawn PTP 04/06/06	
				Rev Revision Description		Checked PTP 04/06/06	
						Drawing No.	
						SD-2990-000	

SECTION/PAGE	ECLIPSE 10/ 101
EFFECTIVE	04/16/13
SUPERSEDES	12/21/07