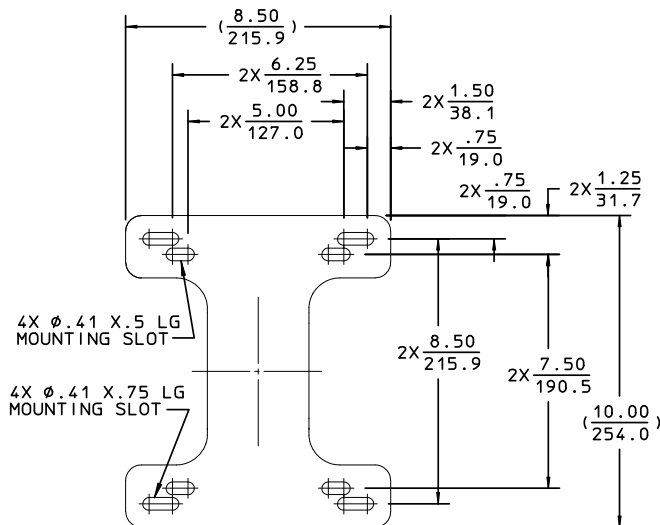


FLANGE	DIM 'A'	DIM 'B'
ANSI 1.0 RF 150 LB	.62 15.7	3.12 79.2
DIN 20 RF 10 BAR	.56 14.2	2.95 75.0
DIN 25 RF 10 BAR	.56 14.2	3.35 85.0

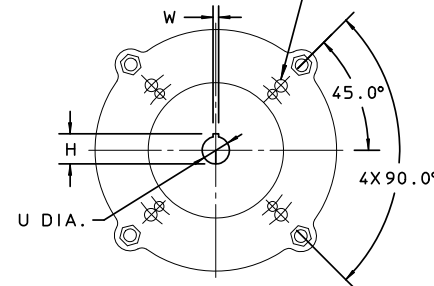


MOUNTING FOOT DIMENSIONS

MOTOR FRAME	U DIA. SHAFT	W KEY WIDTH	H KEY HEIGHT
56C	.626 15.9	.188 4.7	.71 18.0
140TC	.876 22.2	.188 4.7	.96 24.5
180C			
100	1.10 28.0	.317 8.0	1.24 31.5
112			

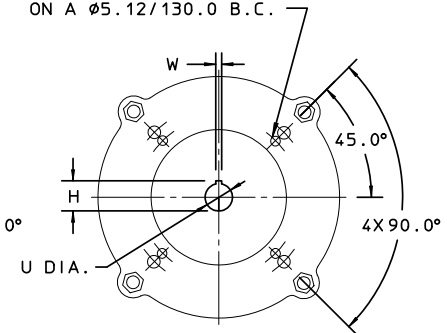
- NOTES:
- SUCTION AND DISCHARGE PORTS DEPENDENT UPON PUMP SHAFT ROTATION.
 - STANDARD MOTOR ADAPTOR PLATE FITS NEMA 56C, 143TC, 182C, 184C AND 100/112 METRIC FRAME MOTORS.
 - MUST USE C-FACE MOTORS OF SPECIFIED FRAME SIZES.

4X Ø .41/10.4 THRU.
EQUALLY SPACED
ON A Ø5.88/149.3 B.C.



56-184C FR NEMA MOTOR MOUNTING

4X Ø .32/8.1 THRU.
EQUALLY SPACED
ON A Ø5.12/130.0 B.C.



100,112 FR METRIC MOTOR MOUNTING

ALL DIMENSIONS ARE IN INCHES/mm				SCALE: 1:4			Item - No.	
Customer							Model	
Project No.							E25 / EH25	
Po No./SO No.							Motor Pwr/Fr	
							56-184C / IEC 100,112	
							Unit Weight	
							lb kg	
							A Unit of IDEX Corporation	
D	ADD SECTION CHART	KLM	04/16/13	Drawn	JRY	05/12/04	Name Date	
Rev	Revision Description	Name	Date	Checked	JRY	05/12/04	Drawing No.	
							SD-2977-000	

SECTION/PAGE	ECLIPSE 8 / 101
EFFECTIVE	04/16/13
SUPERSEDES	04/11/12