

SALES & ENGINEERING DATA

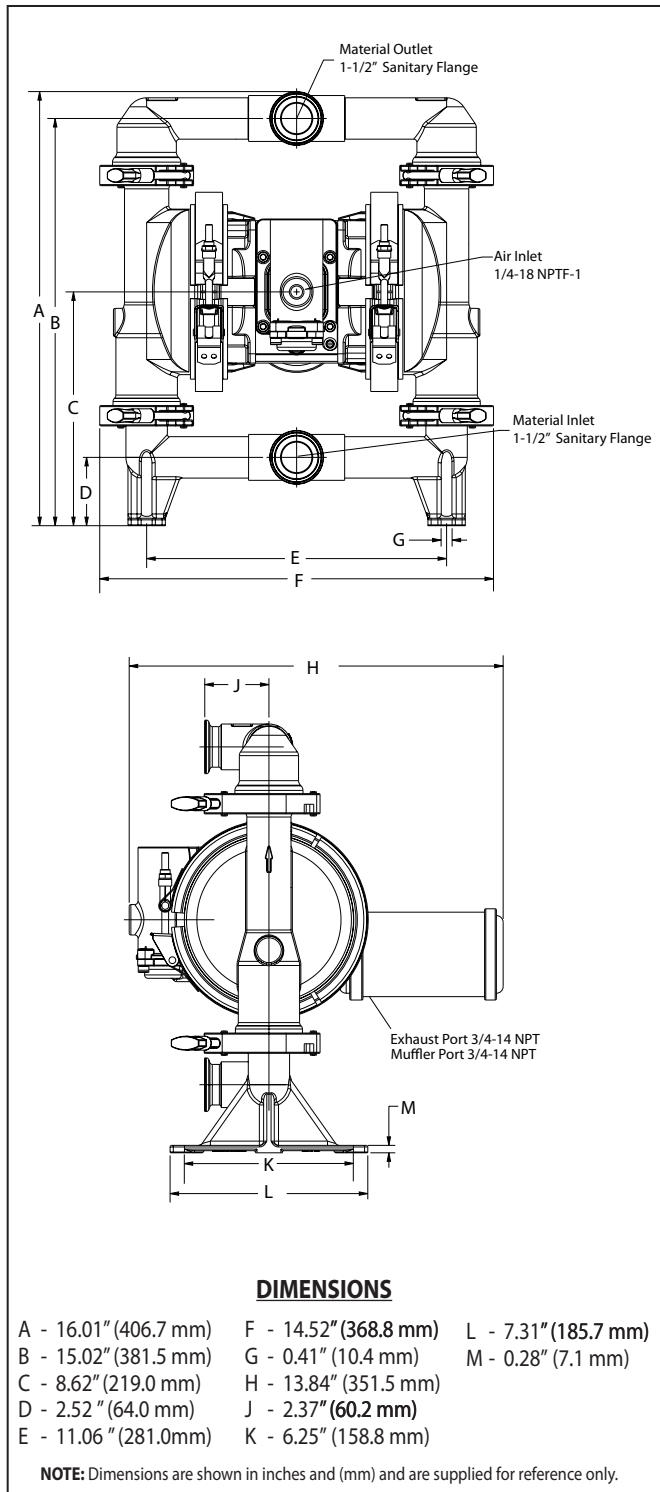
RATIO SERIES: **1:1**

FLUID PSIG RANGE: **20 - 120**

RELEASED: **9-10-14**
(REV. A) **S-1564**

SX10X-XXX-XXX-AXXXX 1" Metallic Diaphragm Pump

DIMENSIONAL DATA



SPECIFICATIONS

Model Series SX10X-XXX-XXX-AXXXX
Pump Type Metallic, air operated, double diaphragm pump
Ratio 1:1
Weight
 SX10S-XXX-XXX-AXXXX 58.4 lbs (26.5 kgs)
Fluid Section Service Kit 637493-XX
Air Section Service Kit 637495
Major Air Valve Assembly Service Kit 637496

SX10X-XXX-XXX-AXXXX
 Example: Models SD10S-CSS-S M M-A 637493-~~XX~~
 Fluid Section Service Kit # 637493-MM Ball Diaphragm

PERFORMANCE

Maximum Air Inlet Pressure 120 psig (8.3 bar)
Maximum Material Inlet Pressure... 10 psig (0.69 bar)
Maximum Outlet Pressure 120 psig (8.3 bar)
Maximum Flow Rate 54 gpm (204.4 lpm)
Displacement / Cycle @ 100 psig... 0.258 gal (0.98 lit)
Maximum Particle Size 1/8" dia (3.2 mm)
Maximum Temperature Limits (diaphragm / ball / seal / seat material)
 Santoprene® -40° to 225° F (-40° to 107° C)
 PTFE 40° to 225° F (4° to 107° C)
Noise Level @ 70 psig, 60 cpm 80.6 dB(A)①

① The pump sound pressure level has been updated to an Equivalent Continuous Sound Level (LA_{eq}) to meet the intent of ANSI S1.13-1971, CAGI-PNEUROP S5.1 using four microphone locations.

PERFORMANCE CURVES

SX10X-XXX-XXX-AXXXX 1" METALLIC DIAPHRAGM PUMP

